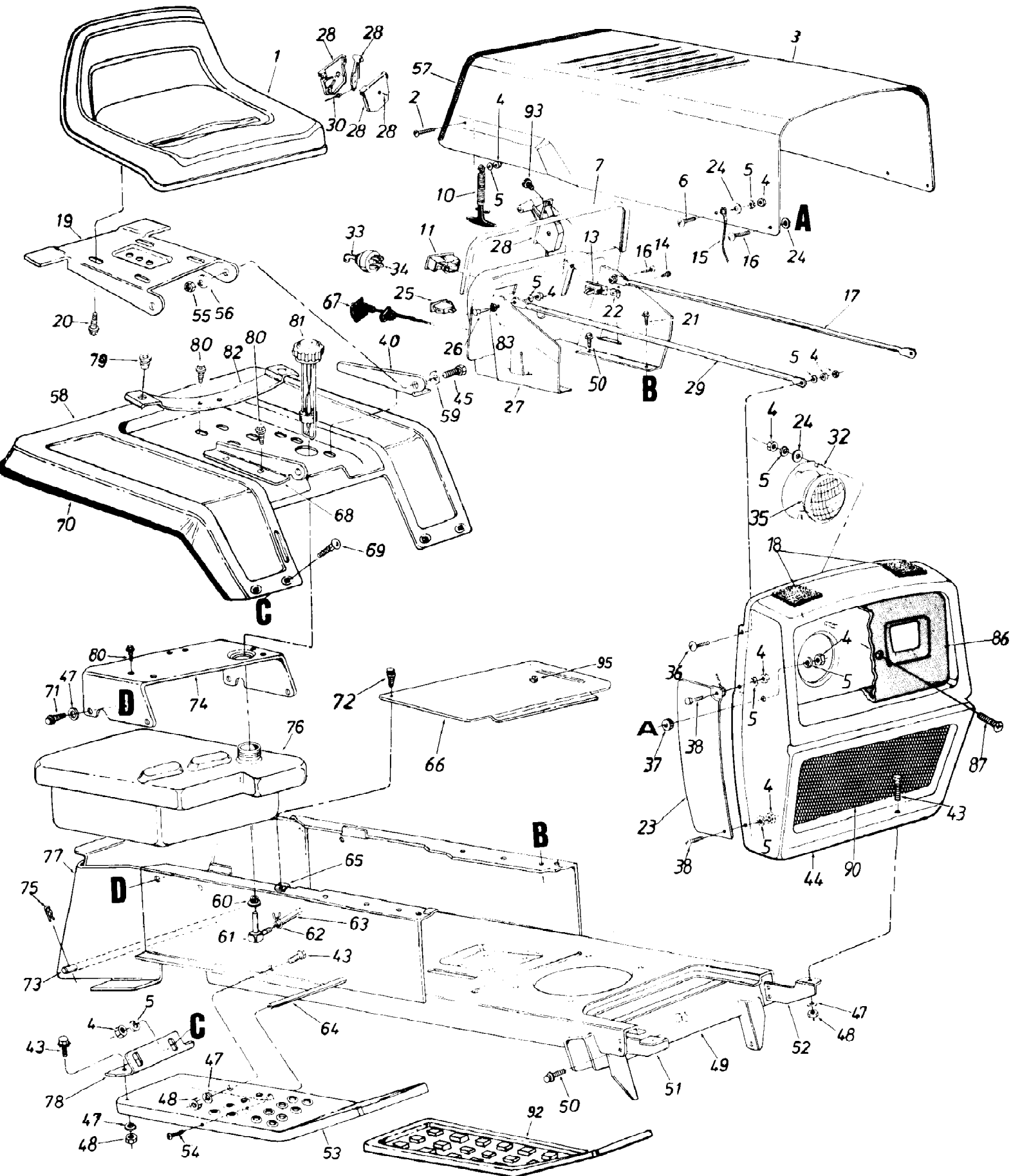


137-746-190 LGT-1600 (1987)  
Body Assembly



137-746-190 LGT-1600 (1987)  
Body Assembly

Page 2 of 21

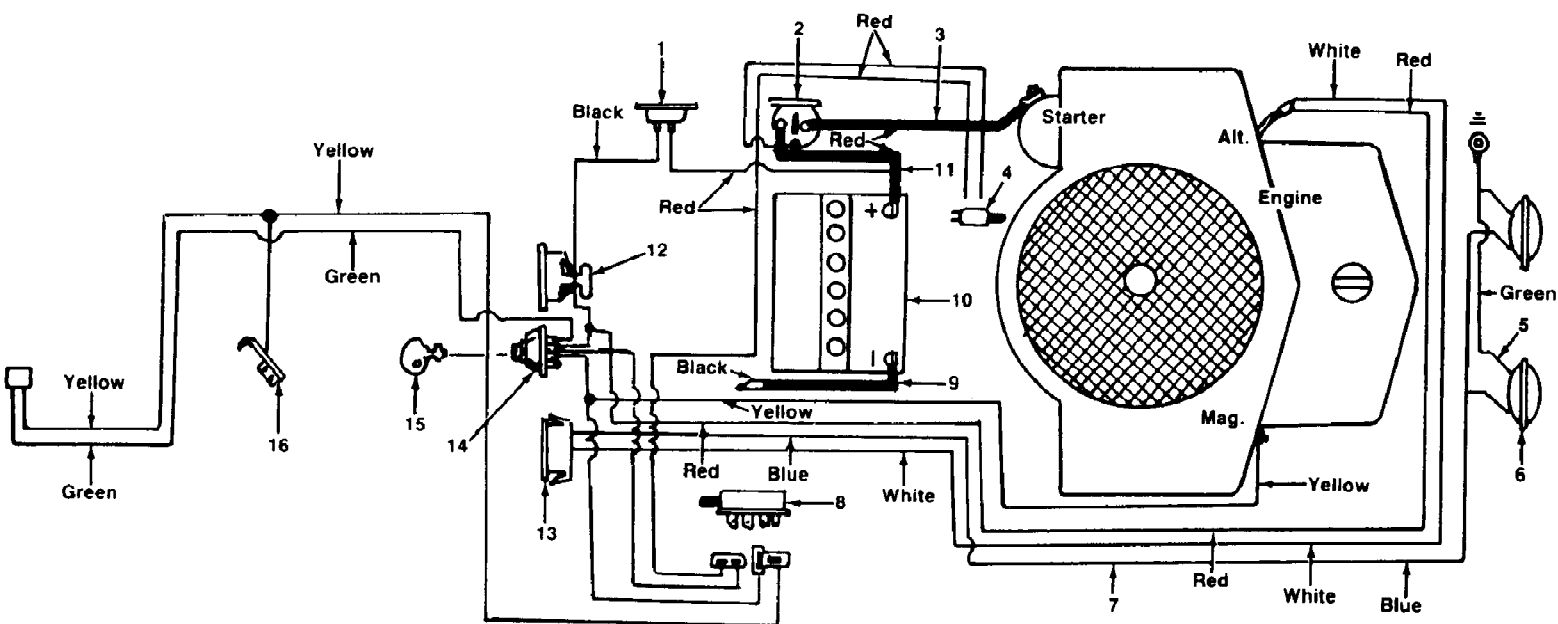
Ref #	Part Number	Qty	S/P/F	Description
1	757-0336	1		Seat Assembly
2	710-0286	1	/P	Truss Mach. Scr. 1/4-20 X .50" Lg.
3	13808	1		Hood
4	712-0287	1	S	Hex Nut 1/4-20 Thd.
5	736-0329	1	S	L-Wash. 1/4" Scr.
6	710-0286	1	/P	Truss Mach. Scr. 1/4-20 x .50" Lg.
7	731-0511	1	/P	Vinyl Molding Strip 29"
10	723-0296	1		Hood Latch Ass'y.
11	725-0925	1	S	Ammeter
13	725-0459	1	S	Circuit Breaker 8 Amp.
14	710-0351	1	/P	Hex Tap Scr. #10 x .50" Lg.
15	727-0199	1		Hood Stop
16	710-0255	1	S	Truss Mach. Scr. 1/4-20 x .75" Lg.
17	749-0651	1		Grille Positioning Rod
18	722-0157	1		PVC Foam Strip 1/2 X 1.00" x 2.00" Lg.
19	15607	1	S	Seat Pivot Brkt.
20	710-0623	1	/P	Hex Wash. Hd. AB-Tap Scr. 318 x .75" Lg.
21	710-0599	1	/P	Hex Thd. Rolling Scr. 1/4" x .50" Lg.
22	712-0344	1		Speed Nut #10Z
23	14748	1		Grille Side Panel R.H.
	14749	1		Grille Side Panel L.H. (Not Shown)
24	736-0173	1	/P	FI-Wash. 1/4" I.D.
25	725-0634	1	S	Light Switch
26	710-0166	1	S	Truss Hd. Scr. 1/4-20 x 1.00" Lg.
27	16427	1		Dash Panel Ass'y.
28	831-0823	1	S	Throttle Control Box Comp.
29	749-0651	1		Grille Positioning Rod
30	746-0503	1	S	Throttle Control Cable
	710-0289	1	S	Hex Bolt 1/4-20 x .50" Lg.
32	09960	1		Head Lamp Retainer
33	725-0201	1	S	Ignition Key
34	725-0267	1	S	Ignition Switch
35	725-0222	1	S	Head Lamp
36	710-0255	1	S	Truss Machine Scr. 1/4-20 x .75" Lg.
37	735-0144	1		Rubber Wash. .50" I.D. x 1.00 O.D. x .25 Thk.
38	710-0286	1	/P	Truss Mach. Scr. 1/4-20 x .50" Lg.
40	15803	1		Seat Bracket L.H.
43	710-0118	1	S	Hex Scr. 5/16-18 x .75" Lg.
44	13800	1		Grille Ass'y.
45	710-0118	1	S	Hex Bolt 5/16-18 x .75" Lg.
	710-0286	1	/P	Truss Mach. Scr. 1/4-20 x .50" Lg.
47	736-0119	1	S	L-Wash. 5116" I.D.
48	712-0267	1	S	Hex Nut 5/16-18 Thd.
49	13820	1		Lower Frame Ass'y.
50	710-0726	1	/P	Hex Thd. Rolling Scr. 5/16" x .75" Lg.
51	13862	1		Grille Mount Brkt. R.H.
52	13863	1		Grille Mount Brkt. L.H.
53	13828	1		Running Board R.H.
	13827	1		Running Board L.H. (Not Shown)
54	710-0323	1	/P	Truss Mach. Scr. 5/16-18 x .75" Lg.
55	712-0158	1	S	Hex Cent. L-Nut 5/16-18 Thd.
56	736-0242	1	/P	Bell-Wash. .34" I.D. x .88 O O.D.
57	731-0511			Strip 30"

137-746-190 LGT-1600 (1987)  
Body Assembly

Page 3 of 21

Ref #	Part Number	Qty	S/P/F	Description
58	15886	1		Fender Ass'y.
59	736-0242	1	/P	Bell-Wash. .34" I.D. x .88" O.D.
60	735-0149	1	S	Bushing (Gas Tank)
61	751-3054	1		90ø Nipple
62	726-0207	1		Hose Clamp 3/8"
63	751-0173	1	S	Gas Line 46" Lg.
64	738-0435	1		Running Board Rod
65	712-0147	1	/P	Speed Nut #10-24
66	17150	1		Transmission Cover Ass'y.
67	746-0613	1	S	Choke Control Comp.
68	15802	1		Seat Bracket R.H.
69	710-0167	1	/P	Carr. Bolt 1/4-20 x .50" Lg.
70	731-0511	1	/P	Trim Strip 81" Lg.
71	710-0726	1	/P	Hex Thd. Rolling Scr. 5/16-24 x .75" Lg.
72	710-0351	1	/P	Truss Hd. Scr. #10 x .50" Lg.
73	738-0482	1		Hitch Rod
74	15849	1		Seat Mounting Channel
75	714-0147	1		Internal Cotter Pin
76	751-0367	1		Gas Tank
77	13813	1		Hitch Plate
78	15846	1	S	Fender Brkt. R.H.
	15847	1		Fender Brkt. L.H. (Not Shown)
79	731-0555	1	S	Grommet
80	710-0607	1	/P	Hex Wash. Hd. Self-Tap Scr. 5/16-18 x .50" Lg.
81	751-0370	1		Gas Gauge
82	732-0431	1		Seat Spring
83	736-0222	1	S	External Wash. 1/4" I.D.
86	731-0465	1		Headlight Bezel
87	710-0148	1	/P	Hex Wash. Hd. F-Tap Scr. #8-32 x .38" Lg.
90	731-0881	1		Grille Screen
92	731-0755	1		Foot Pad
93	710-0779	1	S	Truss Mach. AB-Tap Scr. #10 x .50" Lg.
95	731-0405	1		Snap Bushing
	730-0116	1		Reflectors Fender

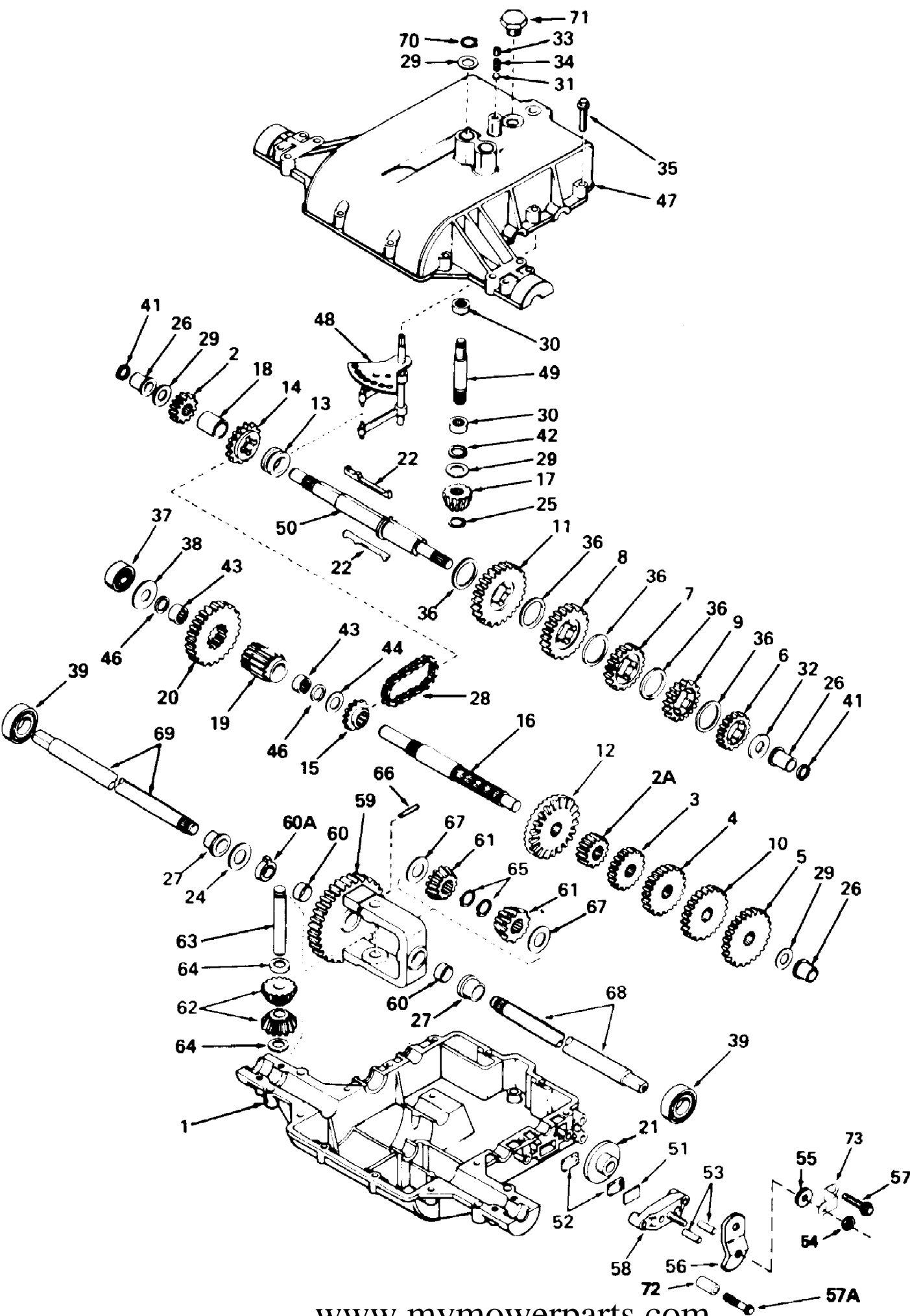
137-746-190 LGT-1600 (1987)  
Electrical System



137-746-190 LGT-1600 (1987)  
Electrical System

Page 5 of 21

Ref #	Part Number	Qty	S/P/F	Description
1	725-0459	1	S	Circuit Breaker
2	725-0771	1	S	Solenoid
3	725-0561	1	S	Wire
4	725-0268	1	S	Safety Switch
5	725-0916	1	S	Ground Wire
6	725-0222	1	S	Head Light
7	725-1134	1	S	Wire Harness
8	725-0465	1	S	Safety Switch
9	725-0996	1	S	6 Ga. Black Wire
10	725-0453	1	S	Battery 12V
11	725-0563	1		Wire
12	725-0925	1	S	Ammeter
13	725-0634	1	S	Light Switch
14	725-0267	1	S	Ignition Switch
15	725-0201	1	S	Ignition Key
16	725-0758	1	S	Spring Switch



137-746-190 LGT-1600 (1987)  
Peerless Transaxle

Page 7 of 21

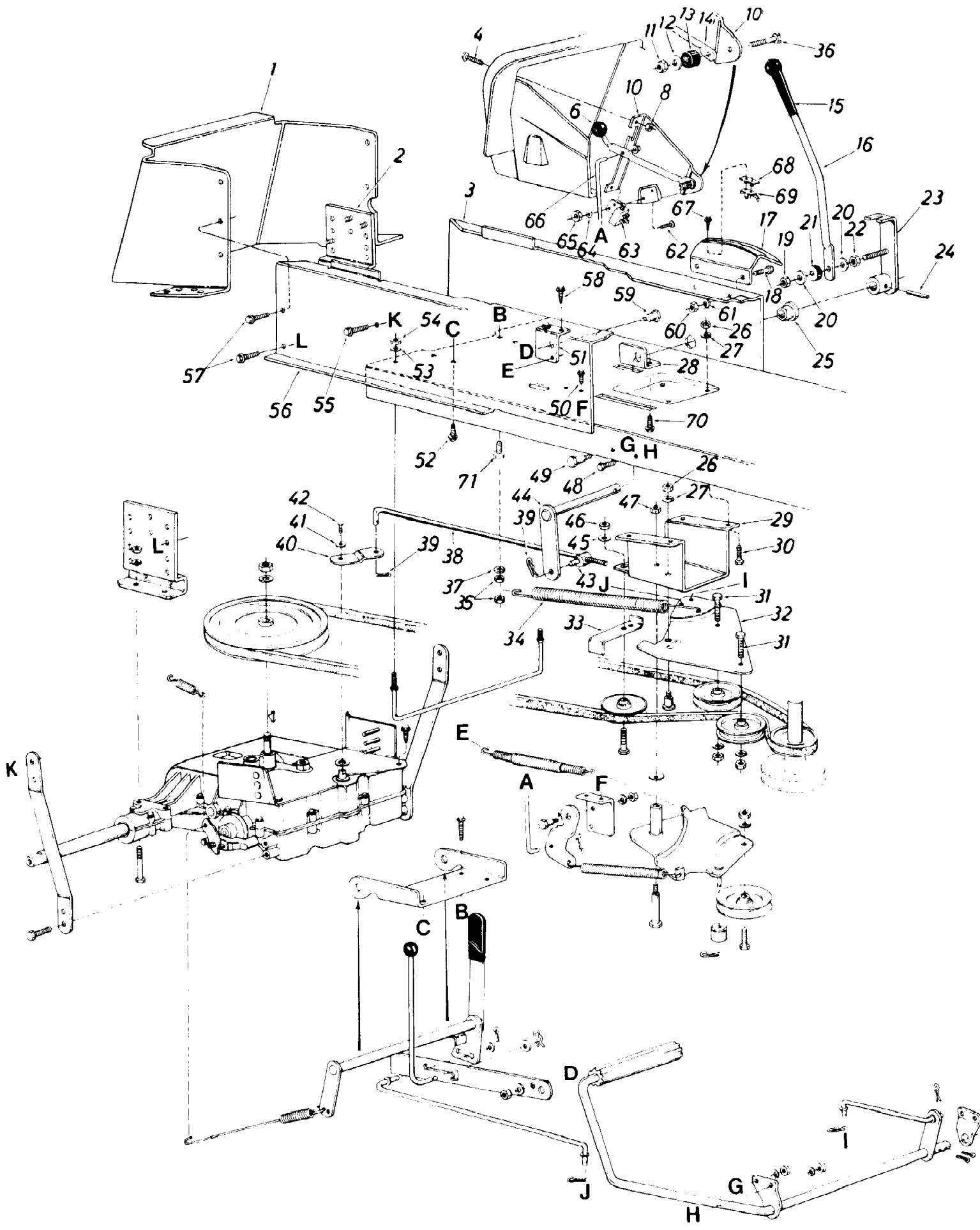
Ref #	Part Number	Qty	S/P/F	Description
1	PE-770071A	1		Case, Transaxle
2	PE-778136	1		Gear, Spur (15 teeth)
2A	PE-778145	1		Gear, Spur (12 teeth)
3	PE-778126A	1		Gear, Spur (20 teeth)
4	PE-778127A	1		Gear, Spur (25 teeth)
5	PE-778129A	1		Gear, Spur (30 teeth)
6	PE-778121A	1		Gear, Spur (20 teeth)
7	PE-778123A	1		Gear, Spur (25 teeth)
8	PE-778124A	1		Gear, Spur (30 teeth)
9	PE-778122A	1		Gear, Spur (22 teeth)
10	PE-778128A	1		Gear, Spur (28 teeth)
11	PE-778146A	1		Gear, Spur (37 teeth)
12	PE-778137A	1		Gear, Bevel (42 teeth)
13	PE-784266	1		Collar, Shift
14	PE-786083	1		Sprocket (18 teeth)
15	PE-786082	1		Sprocket (9 teeth)
16	PE-776204	1		Shaft, Counter
17	PE-778113A	1		Bevel Pinion, Input
18	PE-786074	1		Spacer
19	PE-778138	1		Pinion, Output
20	PE-778139	1		Gear, Output
21	PE-790003	1		Disk, Brake
22	PE-792089A	1		Key
24	PE-780001	1		Washer
25	PE-788040	1		Ring, Retaining
26	PE-780105A	1		Bushing, Flanged
27	PE-780118A	1		Bushing, Flanged
28	PE-786081	1		Chain, Roller (No. 41 Chain, 24 Links)
29	PE-780072	1		Washer, Thrust
30	PE-780122	1		Bearing, Needle
31	PE-792077	1		Ball, Steel
32	PE-780109	1		Washer, Thrust
33	PE-792078	1		Screw, Set, 3/8-16 x 3/8
34	PE-792079	1		Spring
35	PE-792073	1		Screw, Hex Hd. Thread Forming, 1/4-20 x 1-1/4
36	PE-780108	1		Washer, Thrust
37	PE-780121	1		Bearing, Ball
38	PE-780113	1		Washer, Flat
39	PE-780119	1		Bearing, Ball
41	PE-788051	1		Ring, Square Cut
42	PE-788057	1		Ring, Square Cut
43	PE-780112	1		Bearing, Needle
44	PE-780114	1		Washer, Flat
46	PE-788053	1		Ring, Square Cut
47	PE-772082	1		Cover, Transaxle
48	PE-784290	1		Rod & Fork Ass'y., Shift
49	PE-776140	1		Shaft, Input
50	PE-776184A	1		Shaft, Brake
51	PE-790007	1		Plate, Brake Pad
52	PE-790006	1		Pad, Brake
53	PE-786026	1		Pin, Dowel

137-746-190 LGT-1600 (1987)  
Peerless Transaxle

Page 8 of 21

Ref #	Part Number	Qty	S/P/F	Description
54	PE-792075	1		Locknut, 5/16-24
55	PE-792076	1		Washer, Flat
56	PE-790004	1		Lever, Brake
57	PE-792073	1		Screw, Hex Hd. Thread Forming, 1/4-20 x 1 1/4
57A	PE-792085	1		Screw, Hex Hd. Thread Forming, 1/4-20 x 2 1/4
58	PE-790025	1		Holder, Brake Pad
59	PE-778053A	1		Gear Ass'y., Differential (Incl. 2 of No. 60)
60	PE-780064	1		Bushing
60A	PE-780120	1		Bushing
61	PE-778166	1		Gear, Bevel
62	PE-778131	1		Pinion, Bevel
63	PE-786034	1		Pin, Drive
64	PE-780065	1		Washer, Thrust
65	PE-792018	1		Ring, Retaining
66	PE-792040	1		Pin, Roll
67	PE-780001	1		Washer, Thrust
68	PE-774643	1		Axle (15-1/4" Long)
69	PE-774642	1		Axle (13-3/8" Long)
70	PE-792035	1		Ring, Retaining
71	PE-792074	1		Plug, Hex Hd., 9/16-18 0 Thread
72	PE-786066	1		Spacer
73	PE-786086	1		Bracket, Brake Lever





137-746-190 LGT-1600 (1987)  
Rear Drive Assembly

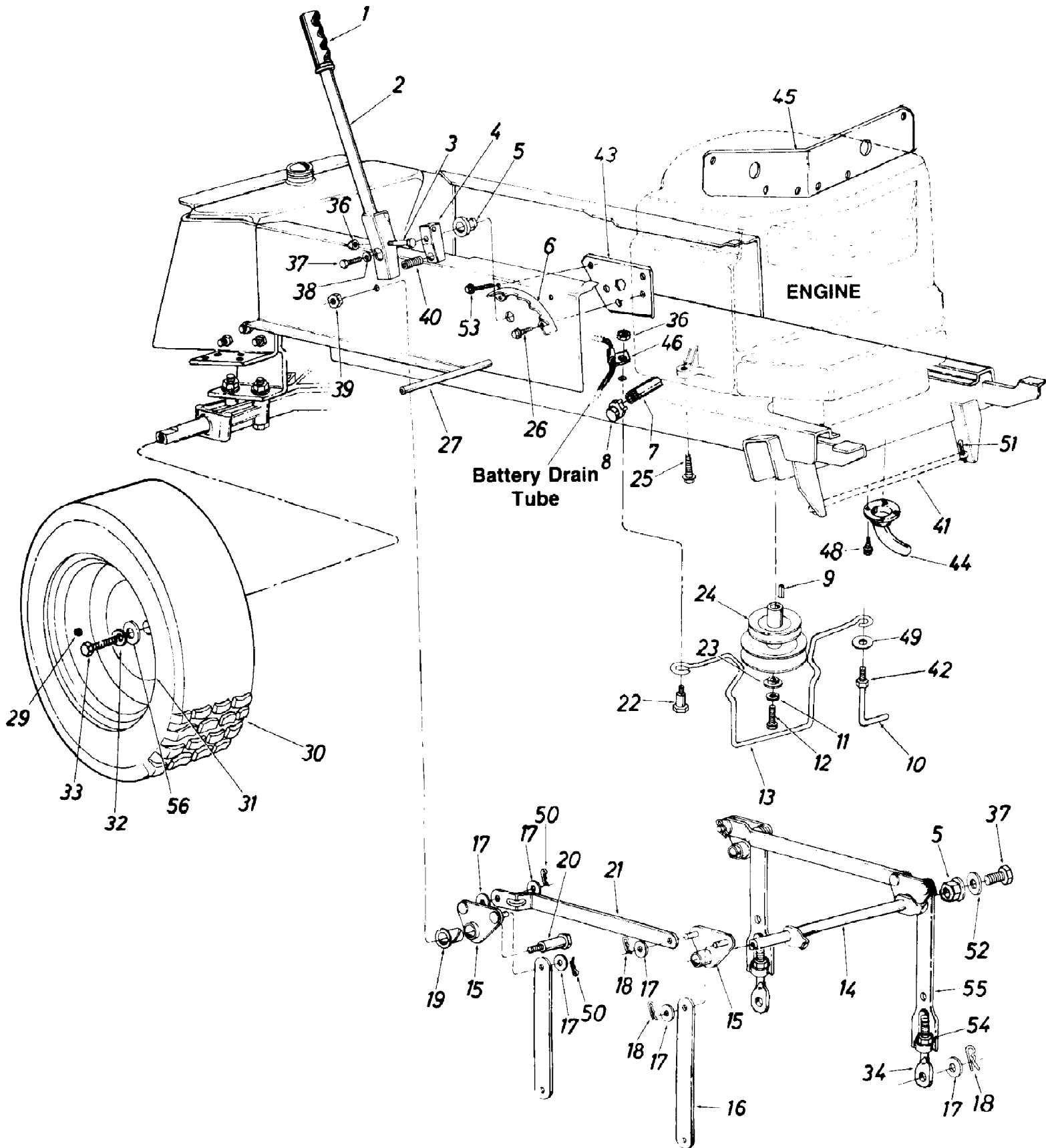
Page 10 of 21

Ref #	Part Number	Qty	S/P/F	Description
1	13813	1		Hitch Plate
2	14067	1		Transaxle Support Bracket
3	16445	1		Side Panel Upper Frame L.H.
4	710-0286	1	/P	Truss. Mach. Scr. 1/4-20 x .50" Lg.
6	720-0165	1	S	Ball Knob (Blade Clutch)
8	712-0271	1	/P	Hex Sems Nut 1/4-20 Thd*
	726-0106	1	S	Push Cap 1/4" Rod
10	13950	1		Deck Clutch Control Brkt.
11	712-0107	1	S	Hex Cent. L-Nut 1/4-20 Thd.
12	736-0173	1	/P	FI-Wash. .281" I.D. x .734" O.D. x .063 Thk.
13	735-0126	1	S	Rubber Wash. .330" I.D. x .87" O.D. x .32 Thk.
14	747-0513	1		Blade Clutch Lever
15	720-0143	1		Grip
16	747-0317	1		Shift Lever
17	14197	1		Shift Bracket
18	710-0752	1		Hex Bolt 5/16-18 x .62" Lg.
19	712-0158	1	S	Hex Cent. L-Nut 5/16-18 Thd.
20	736-0159	1	S	FI-Wash. .344" I.D. x .875" O.D. x .063 Thk.
21	735-0126	1	S	Rubber Wash. .330" I.D. x .87" O.D. x .32 Thk.
22	712-0267	1	S	Hex Nut 5/16-18 Thd.
23	14195	1		Handle Mount Brkt. Ass'y. (Shift Lever)
24	715-0114	1	S	Spring Pin Spiral 1/4" Dia. x 1.5" Lg.
25	741-0225	1	S	Plastic Hex Bearing .625" I.D.
26	712-0267	1	S	Hex Nut 5/16-18 Thd.*
27	736-0119	1	S	L-Wash. 5/16" I.D.
28	14035	1		Speed Control Shaft Brkt.
29	14063	1		Transaxle Clutch Support Brkt.
30	710-0378	1	/P	Hex Bolt 5/16-18 x 2.50" Lg.
31	710-0342	1	S	Hex Bolt 3/8-16 x 1.25" Lg.*
32	14064	1		Idler Bracket Ass'y.
33	13819	1		Belt Guard
34	732-0307	1	S	Extension Spring .995" O.D. x 11.0" Lg.
35	712-0107	1	S	Hex Cent. L-Nut 1/4-20 Thd.
36	710-0106	1	/P	Hex Bolt 1/4-20 x 1.25" Lg.
37	736-0329	1	S	L-Wash. 1/4" I.D.
38	747-0341	1		Shift Link
39	714-0145	1	S	Hairpin Cotter 3/8"
40	14192	1		Shifter Bracket
41	736-0270	1	/P	Belleville Wash. .25" I.D. x .375" O.D.
42	710-0513	1		Hex Bolt 1/4-28 x .62" Lg. (Special)
43	711-0198	1	S	Pivot Bushing
44	14034	1		Speed Control Shaft Ass'y.
45	736-0300	1	S	FI-Wash. .385" I.D. x .87" O.D. x .060 Thk.
46	712-0214	1	S	Hex Cent. L-Nut 3/8-24 Thd.
47	712-0375	1	/P	Hex Cent. L-Nut 3/8-16 Thd.
48	710-0201	1		Hex Bolt 3/8-16 x .62" Lg.
49	738-0143	1	/P	Shoulder Bolt .500" Dia. x .340" Lg. (3/8-16)
50	710-0599	1	/P	Hex Thd. Rolling Scr. 1/4-20 x .50" Lg.
51	13833	1	S	Parking Brake Cam Mtg. Brkt.
52	710-0599	1	/P	Hex Thd. Rolling Scr. 1/4-20 x .50" Lg.

137-746-190 LGT-1600 (1987)  
Rear Drive Assembly

Page 11 of 21

Ref #	Part Number	Qty	S/P/F	Description
53	736-0329	1	S	L-Wash. 1/4" I.D.
54	712-0287	1	S	Hex Nut 1/4-20 Thd.
55	710-0773	1		Hex Wash. Hd. TT-Tap Scr. 3/8-16 x .5" Lg.
56	13848	1		Side Panel Upper Frame R.H.
57	710-0600	1	/P	Hex Thd. Rolling Scr. 5/16-24 x .50" Lg.
58	710-0599	1	/P	Hex Thd. Rolling Scr. 1/4-20 x .50" Lg.
59	738-0155	1	S	Shoulder Bolt .435" Dia. x .160 (5/16-18)
60	712-0267	1	S	Hex Nut 5/16-18 Thd.*
61	736-0119	1	S	L-Wash. 5/16" I.D.
62	710-0473	1	/P	Truss Mach. Scr. #10-24 x .50" Lg.
63	725-0465	1	S	Safety Switch
64	736-0147	1	S	Ext. L-Wash. #10 I.D.
65	712-0121	1	S	Hex Nut #10-24 Thd.
66	747-0307	1		Deck Control Rod
67	710-0227	1	/P	Hex Wash. Hd. Scr. #8 x .50" Lg.
68	726-0222	1	S	Insulator Nut Plate
69	725-0758	1	S	Spring Switch
70	710-0726	1	/P	Hex Wash. Hd. AB-Tap Scr. 5/16 x .75" Lg.
71	710-0778	1	/P	Hex Wash. Hd. TT-Tp Scr. 1/4 X 1.5" Ln.



137-746-190 LGT-1600 (1987)  
Rear Wheel & Frame Assembly

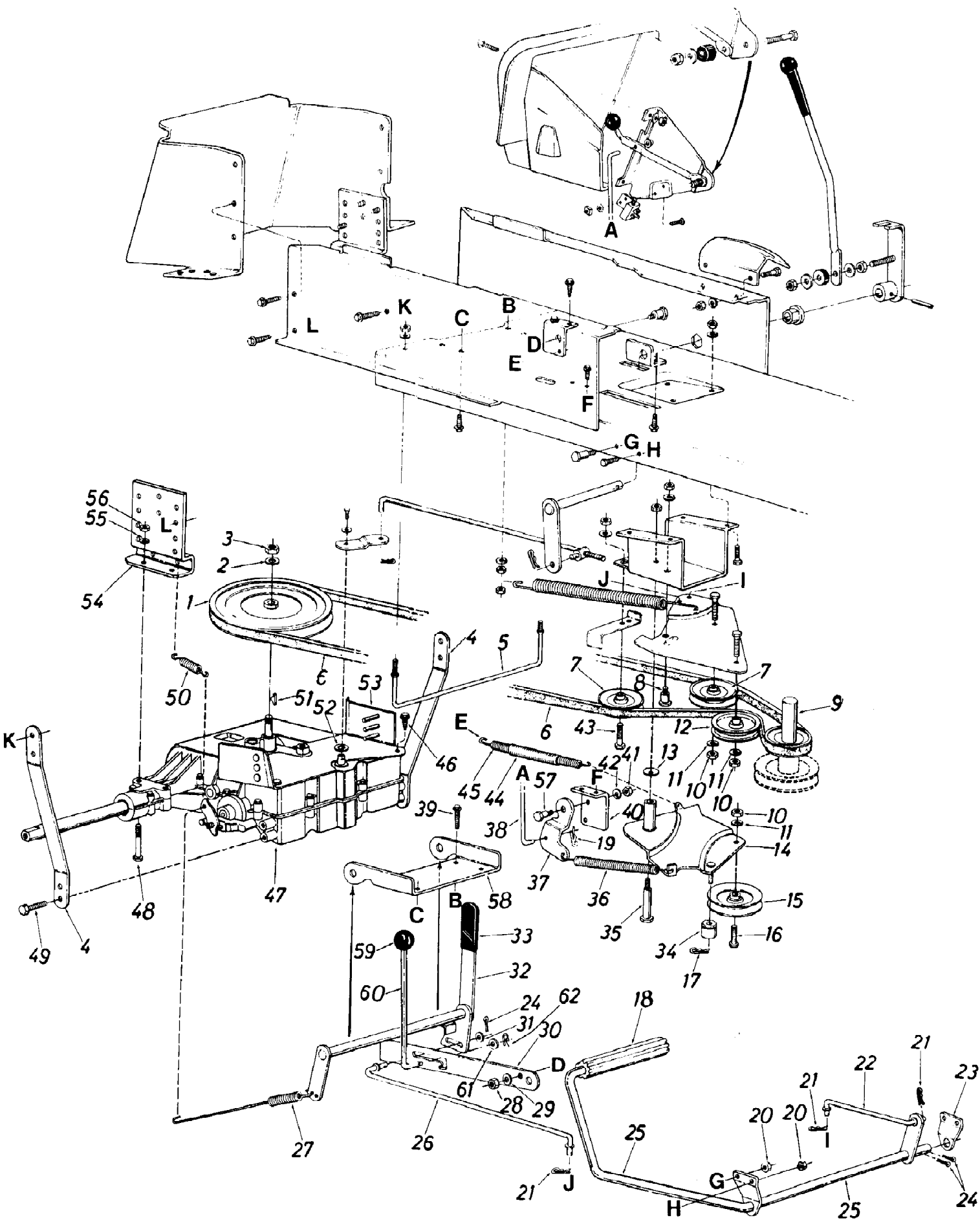
Page 13 of 21

Ref #	Part Number	Qty	S/P/F	Description
1	720-0157	1	S	Grip
2	14233	1	S	Lift Handle Ass'y.
3	710-0442	1	S	Hex Scr. 5/16-18 x 1.50" Lg.
4	748-0274	1	S	Lift Shaft Drive
5	741-0225	1	S	Plastic Hex Brg. 518" I.D.
6	14231	1	S	Index Brkt. Deck Lift
7	737-0164	1	S	Pipe Nipple 3/8-18 Npt.
8	737-0143	1	S	Pipe Cap 3/8-18 Npt.
9	714-0118	1	/P	Sq Key 1/4" x 1.50" Lg.
10	747-0216	1		Belt Guard Lock Pin
11	736-0171	1	S	L-Wash. 7116" Scr.
12	710-0757	1	/P	Hex Scr. 7/16-20 x 1.50" Lg.
13	747-0320	1		Belt Guard
14	13889	1		Lift Shaft Ass'y.
15	13895	1		Lift Pivot Brkt. Ass'y.
16	14399	1	S	Link (Deck)
17	736-0192	1	S	FI-Wash. 112" I.D. x 1.00" O.D. x .090
18	714-0101	1	S	Hairpin Cotter
19	741-0295	1	S	Nyliner 5/8" I.D. x .88" Lg.
20	738-0445	1	S	Shld. Scr. 5/8" Dia. x .96" Lg. 3/8-16
21	13790	1	S	Connecting Link
22	738-0296	1	S	Shld. Scr. .437 Dia. x .268 0 Lg. 5/16-18
23	736-0322	1	/P	Flat Wash. .44" I.D. x 1.25" O.D. x .17
24	756-0342	1	/P	Two-Step Engine Pulley
25	710-0502	1	S	Hex Wash. Hd. Scr. 3/8-16 x 1.25" Lg.
26	710-0600	1	/P	Hex Thd. Rolling Scr. 5/16-24 x .50" Lg.
27	738-0435	1		Running Board Rod
29	734-0255	1	S	Air Valve
30		1		Rear Wheel Ass'y. Comp.
	734-1064	1	S	Wheel Ass'y. Comp. (20 x 10.0)
31		1		Rear Wheel Rim Only
	734-0764	1	S	Rim Only (20 x 10.0)
32	736-0242	1	/P	Bell-Wash. .345" I.D. x .88" O.D.
33	710-0627	1	/P	Hex Bolt 5/16-24 x .75" Lg.
34	711-0773	1		Eye Bolt Adj. Link 1/2-13 Thd.
36	712-0158	1	S	Hex Cent. L-Nut 5/16-18 Thd.
37	710-0237	1	/P	Hex Scr. 5/16-24 x .62" Lg.
38	736-0119	1	S	L-Wash. 5/16" I.D.
39	712-0266	1	S	Hex Center L-Jam Nut 3/8-16 Thd.
40	732-0369	1	S	Compression Spring
41	738-0392	1		Deck Connecting Rod
42	712-0123	1	/P	Hex Nut 5/16-24 Thd.
43	14170	1	S	Index Brkt. Reinforcement Plate
44	751-0275	1		Exhaust Pipe
45	14282	1		Heat Shield
46	726-0175	1	/P	Mounting Clamp
	731-0556	1		Hub Cap (Not Shown)
48	710-0224	1	S	Hex Wash. Hd. AB-Tap Scr. #10 x .50" Lg.
49	736-0242	1	/P	Bell-Wash. .39" I.D.
50	714-0111	1	S	Cotter Pin .09 Dia. x 1.0" Lg.
51	714-0149	1	S	Int. Cotter Pin
52	736-0231	1	S	Flat Wash. .34" I.D. x 1.12" O.D. x .125
53	710-0726	1		Hex Scr. 5/16 x .62" Lg.

137-746-190 LGT-1600 (1987)  
Rear Wheel & Frame Assembly

---

Ref #	Part Number	Qty	S/P/F	Description
54	712-0206	1	S	Hex Nut 1/2-13 Thd.
55	16092	1		Adj. Deck Link
56	736-0346	1		Fl-Wash. .34" I.D. x 2.0" C) .D.



137-746-190 LGT-1600 (1987)  
Speed Selector Assembly

Page 16 of 21

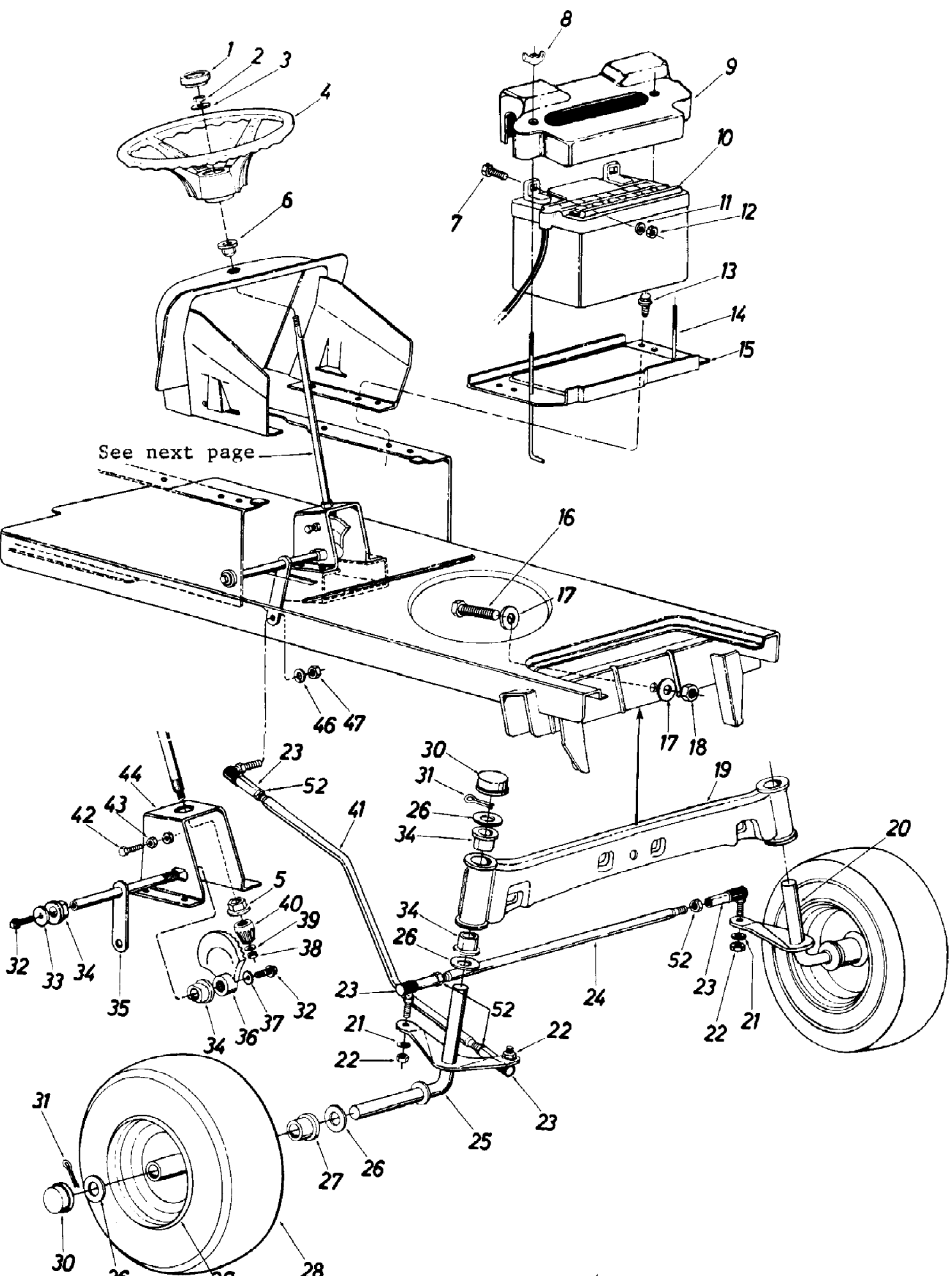
Ref #	Part Number	Qty	S/P/F	Description
1	756-0341	1	S	8" "V"-Pulley (Transaxle)
2	736-0921	1	S	L-Wash. 1/2" I.D.*
3	712-0922	1	/P	Hex Nut 1/2-20 Thd.*
4	14066	1		Transaxle Brace
5	747-0322	1		Belt Guard
6	754-0248	1	S	"V"-Belt
7	756-0116	1	S	"V"-Belt Idler Pulley .38" I.D. x 3-1/16" O.D.
8	738-0155	1	S	Shoulder Bolt .435" Dia. x .160 (5/16-18)
9	756-0342	1	/P	Two Step Engine Pulley 3.10" & 5.56" Dia.
10	712-0798	1	/P	Hex Nut 3/8-16 Thd.*
11	736-0169	1	S	L-Wash. 3/8" I.D.*
12	756-0225	1	/P	Flat Idler Pulley 2.75" O.D.
13	736-0105	1	/P	Belleville Wash. .400" I.D. x .88" O.D. x .063
14	14076	1	S	Idler Bracket Ass'y.
15	756-0293	1	S	4" "V"-Idler Pulley
16	710-0342	1	S	Hex Bolt 3/8-16 x 1.25" Lg.*
17	714-0104	1	S	Hairpin Cotter 5116" Dia.
18	735-0196	1	S	Foot Pad
19	714-0104	1	S	Intern. Cotter Pin 5116" Dia.
20	712-0375	1	/P	Hex Cent. L-Nut 3/8-16 Thd.*
21	714-0507	1	S	Hairpin Cotter 3132" Dia. x 3/4" Lg
22	747-0318	1		Brake Clutch Rod (4.60" Lg.)
23	13859	1		Clutch Rod Bearing Brkt.
24	714-0474	1	S	Cotter Pin 1/8" Dia. x 1.00"
25	14040	1		Clutch Brake Pedal Ass'y.
26	747-0319	1		Brake Cam Rod (13.60" Lg.)
27	732-0381	1		Extension Spring .59" O.D. x .93" Lg.
28	712-0267	1	S	Hex Nut 5/16-18 Thd.*
29	736-0119	1	S	L-Wash. 5/16" I.D.*
30	13832	1		Parking Brake Cam
31	736-0101	1	S	FI-Wash. .406" I.D. x 1.00" O.D. x .030 Thk.
32	14073	1		Hand Brake Lever Ass'y.
33	720-0189	1		Grip Flat Bar 1-1/4" Wide
34	748-0278	1	S	Spacer
35	738-0129	1		Shoulder Bolt .496" Dia. x 2.00" Lg. (3/8-16)
36	732-0478	1	S	Extension Spring .75" O.D. x 6.12" Lg.
37	13887	1	S	Deck Control Brkt.
38	747-0307	1		Deck Control Rod
39	710-0778	1	/P	Hex Wash. Hd. TT-Tap Scr. 1/4-20 x 1.50" Lg
40	13833	1	S	Parking Brake Cam Mtg. Brkt.
41	712-0267	1	S	Hex Nut 5/16-18 Thd.
42	736-0119	1	S	L-Wash. 5/16" I.D.
43	710-0459	1	S	Hex Bolt 3/8-24 x 1.50" Lg. (Grade 5)
44	731-0483	1	S	Convuluted Conduit .50" I.D. x 4.0" Lg.
45	732-0308	1	S	Ext. Spring .50" O.D. x 6.37" Lg.
46	710-0726	1	/P	Hex Wash. Hd. AB 0 Tap Scr. 5/16-24 x .75" Lg.
47		1		Transaxle (See Breakdown on associated diagram)
48	710-0378	1	/P	Hex Bolt 5/16-18 x 2.50" Lg.



137-746-190 LGT-1600 (1987)  
Speed Selector Assembly

Page 17 of 21

Ref #	Part Number	Qty	S/P/F	Description
49	710-0726	1	/P	Hex Wash. Hd. AB 0 Tap Scr. 5/16-24 x .75" Lg.
50	732-0433	1		Extension Spring .50" O.D. x 2.75" Lg.
51	714-0129	1	S	Hi-Pro Key 3/32" x 5/8" Dia.
52	717-0234	1		Special Wash. 1.00" O.D. (Hdn.)
53	14193	1		Transaxle Belt Keeper Ass'y.
54	14067	1		Transaxle Support Bracket
55	736-0119	1	S	L-Wash. 5/16" I.D.
56	712-0267	1	S	Hex Nut 5/16-18 Thd.
57	738-0155	1	S	Shoulder Bolt .437" Dia. x .162" Lg. (5/16-18)
58	13822	1		Idler Mtg. Brkt.
59	720-0166	1	/P	Ball Knob
60	747-0300	1		Parking Brake Link
61	736-0101	1	S	FI-Wash.
62	714-0145	1	S	Hairpin Cotter



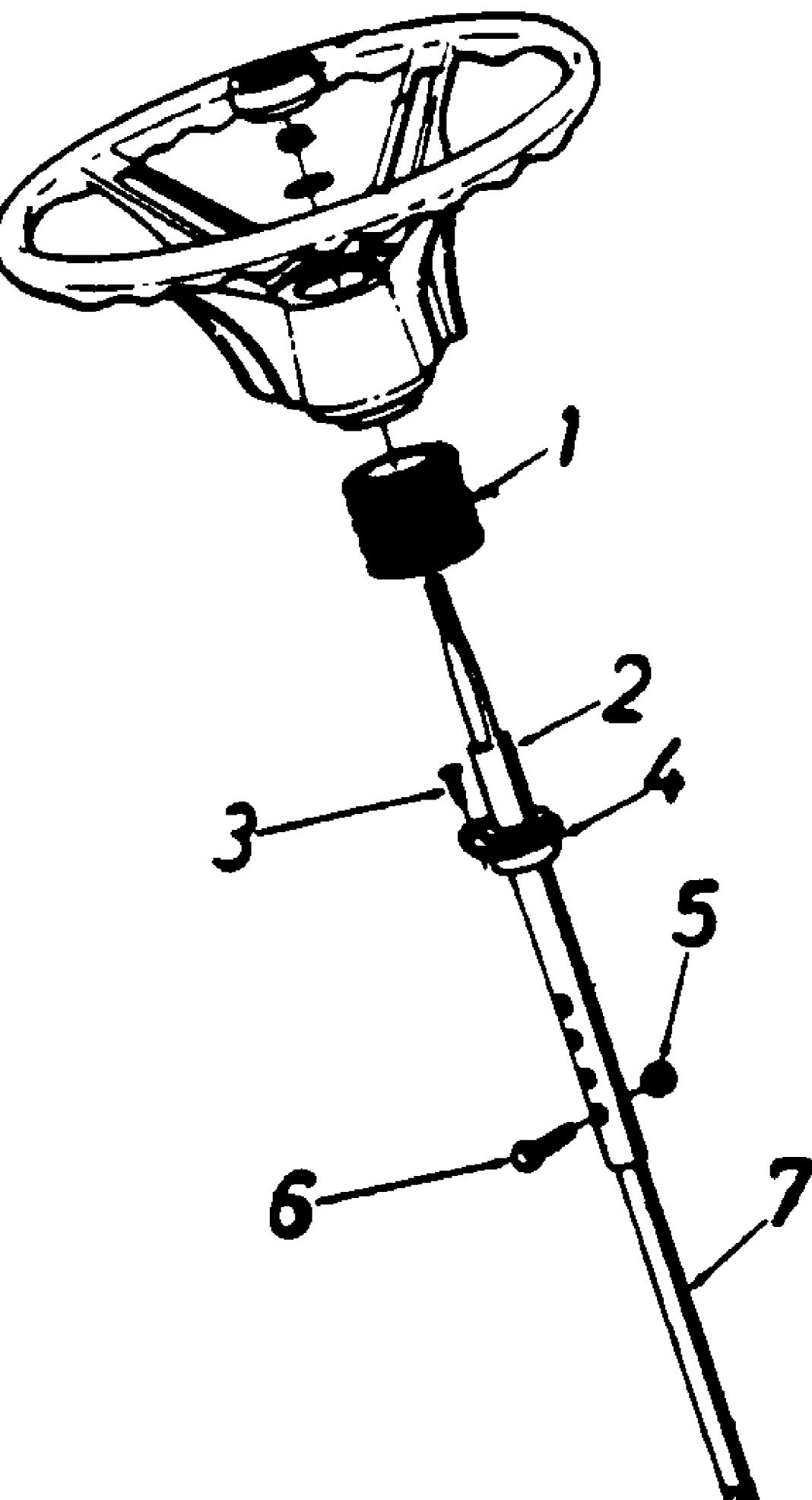
See next page

137-746-190 LGT-1600 (1987)  
Steering Assembly

Page 19 of 21

Ref #	Part Number	Qty	S/P/F	Description
1	731-0220	1	S	Steering Wheel Cap
2	712-0237	1	S	Hex L-Nut 5/16-24 Thd.
3	736-0242	1	/P	Bell-Wash. 5116" I.D. x .87" O.D. x .060
4	731-0806	1	S	Steering Wheel
5	741-0225	1	S	Plastic Hex Bearing 518" 1. D.
6	741-0356	1		Steering Column Brg. .890" 1. D.
7	710-0258	1	S	Hex Scr. 1/4-20 x .62" Lg.
8	712-0113	1	S	Wing Nut Plastic 1/4-20 Thd.
9	731-0707	1		Battery Cover
10	725-0452	1		32-V Battery
11	736-0329	1	S	L-Wash. 1/4" Scr.
12	712-0287	1	S	Hex Nut 1/4-20 Thd.
13	710-0599	1	/P	Hex Thd. Rolling Scr. 1/4-20 x.50" Lg.
14	711-0222	1	S	Battery Hold Down Rod
15	13379	1		Battery Plate
16	710-0533	1		Hex Scr. 5/8-18 x 2.50" Lg.
17	736-0282	1		Flat Wash. .66" I.D. x 2.25" O.D. x .17
18	712-0923	1	/P	Hex Cent. L-Nut 5/8-18 Thd.
19	13865	1		Front Pivot Bar Ass'y.
20	13839	1		Front Axle Ass'y. L.H.
21	736-0169	1	S	L-Wash. 3/8" Scr.
22	712-0241	1	/P	Hex Nut 3/8-24 Thd.
23	723-0156	1	S	Ball Joint Ass'y.
24	747-0301	1		Tie Rod
25	13838	1		Front Axle Ass'y. R.H.
26	736-0316	1	S	FI-Wash. .780 I.D. x 1.59 O.D.
27	741-0382	1	S	Flange Bearing
28	734-1135	1		Front Wheel Ass'y. Comp.
	734-0427	1	S	Front Wheel Tire Only
29	734-0961	1		Front Wheel Rim Only
	734-0255	1	S	Air Valve
	737-0224	1		Grease Fitting
30	731-0484	1	S	Dust Cover
31	714-0121	1	S	Cotter Pin 5132" Dia. x 1.00" Lg.
32	710-0180	1	/P	Hex Scr. 3/8-24 x .75" Lg. Grade 5
33	736-0133	1	S	FI-Wash. 3/8 I.D. x 1.25 O.D. x .090
34	741-0199	1	S	Flange Double "D" Brg. .753 I.D.
35	12749	1		Steering Arm Shaft Ass'y.
36	748-0236	1		Side Gear Steering
37	736-0105	1	/P	Bell-Wash. 3/8" I.D.
38	712-0237	1	S	Hex Cent. L-Nut 5/16-24 Thd.
39	736-0264	1	S	FI-Wash. 5/16" I.D. x .62 0 O.D. x .059
40	748-0237	1	S	Pinion Gear Steering
41	747-0302	1		Drag Link
42	710-0670	1	/P	Hex Nylon Scr. 3/8-16 x 1.25" Lg.
43	712-0798	1	/P	Hex Nut 3/8-16 Thd.
44	12850	1	/P	Steering Gear Sup. Ass'y.
	738-0697	1		Steering Shaft
46	736-0169	1	S	L-Wash. 3/8" I.D.
47	712-0241	1	/P	Hex Nut 3/8-24 Thd.
52	712-0711	1	/P	Hex Jam Nut 3/8-24 Thd.

137-746-190 LGT-1600 (1987)  
Steering Shaft Assembly



137-746-190 LGT-1600 (1987)  
Steering Shaft Assembly

Page 21 of 21

Ref #	Part Number	Qty	S/P/F	Description
1	731-0559	1	S	Steering Bellow
2	16512	1		Upper Steering Shaft
3	710-0837	1		Oval Hd. C-Sunk Scr. #10 x 5/8" Lg.
4	741-0356	1		Fl-Bearing .89" I.D. x 1.36" O.D.
5	712-0324	1	/P	Hex L-Nut 1/4-20 Thd.
6	710-0959	1	/P	Hex Bolt 1/4-20 x 1.31" Lg.
7	738-0588	1		Lower Steering Shaft